

SLX-D

DIGITAL WIRELESS SYSTEMS



Your performance should never be in question. Whether presenting, educating, praising or entertaining, your relationship with your audience is singular. With SLX-D Digital Wireless you can stand confidently on a strong foundation and build the wireless installation to match ongoing demands, from day-long conference to nighttime performances.

ALWAYS COME THROUGH CLEAR

In front of an audience, clarity is simply essential. SLX-D provides crystal-clear digital audio quality with >118 dB dynamic range.

DROPOUTS ARE OUT

From the leader in digital wireless technology, SLX-D maintains stable signals with high efficiency for rock-solid, reliable performance.

KEEP THE SHOW GOING

Ready to perform for all-day conferences and nighttime performances—up to 8 hours of use from either 2 AA batteries (included) or optional Shure SB903 Li-ion rechargeable batteries and charging accessories.

APPLICATIONS

Event, Presentation and Speech

House of Worship

Performance and Clubs

Videography and Location Sound

Electronic News Gathering (ENG) and Broadcast

PRODUCT HIGHLIGHTS

Extended 20 Hz to 20 kHz frequency range (microphone dependent)

118 dB dynamic range

Digital predictive switching diversity

44 MHz tuning bandwidth (region dependent)

32 available channels per frequency band (region dependent)

Up to 10 compatible systems per 6MHz TV band; 12 systems per 8 MHz band

Easy pairing of transmitters and receivers over IR scan and sync

Portable Receiver & Plug-On Transmitter Options

Compatible with Shure Wireless Workbench® control software (SLXD4/SLXD4D Only)

Remote control via ShurePlus™ Channels mobile app (SLXD4/SLXD4D Only)

Up to 8 hours from 2 AA batteries or optional Shure SB903 rechargeable battery

SLX-D DIGITAL WIRELESS SYSTEMS

SYSTEM SPECIFICATIONS (SUBJECT TO CHANGE)

RF	
RF Carrier Frequency Range	470–937.5 MHz <i>Varies by Region. See Frequency Range and Output Power Table.</i>
Working Range	100 m (328 ft) <i>Note: Actual range depends on RF signal absorption, reflection and interference.</i>
RF Tuning Step Size	JB Band: 125 kHz All Other Bands: 25 kHz <i>Varies by region.</i>
Image Rejection	>70 dB <i>typical</i>
RF Sensitivity	–97 dBm at 10 ⁶ BER
AUDIO	
Latency	3.2 ms
High-Pass/Low Cut Filter	150 Hz, –12 dB/octave <i>Note: factory default is for the HPF to be off</i>
Audio Frequency Response	20 Hz–20 kHz (+1, –2 dB)
Audio Dynamic Range <i>A-weighted, 20 Hz–20 kHz, typical</i>	118 dB <i>@1% THD</i>
Total Harmonic Distortion	<0.02%
System Audio Polarity	XLR: Positive pressure on microphone diaphragm produces positive voltage on pin 2 with respect to pin 3 of XLR output. TRS: Positive pressure on microphone diaphragm produces positive voltage on the tip of the 6.35 mm (1/4-inch) with respect to the ring of the 6.35 mm output.
Mic Offset Range	0 to 21 dB (in 3 dB steps)

TEMPERATURE RANGE Note: Battery characteristics may limit this range.

Operating Temperature Range	0 °F to 122 °F (–18 °C to 50 °C)
Storage Temperature Range	–20 °F to 165 °F (–29 °C to 74 °C)

NOTE: This Radio equipment is intended for use in musical professional entertainment and similar applications. This Radio apparatus may be capable of operating on some frequencies not authorized in your region. Please contact your national authority to obtain information on authorized frequencies and RF power levels for wireless microphone products.

FREQUENCY RANGE

Band	Range (MHz)	Transmitter Output (mW)
G58	470 to 514	1/10/30*
G59	470 to 514	1/10/30*
G60	470 to 510	1/10/30*
G61	479 to 523	1/10
G62	510 to 580	1/10/30*
H55	514 to 558	1/10/30*
H56	518 to 562	1/10/30*
H57	520 to 564	1/10
J52	558 to 602; 614 to 616	1/10/30* (558–602) 1/10 (614–616)
J53	562 to 606	1/10/30*
J54	562 to 606	1/10/30*
JB	806 to 810	1/10
K59	606 to 650	1/10/30*
L55	646 to 690	1/10
L56	650 to 694	1/10/30*
L57	650 to 694	1/10
L58	630 to 674	1/10/30*
L59	654 to 698	1/10/30*
M55	694 to 703; 748 to 758	1/10/30*
S50	823 to 832	1/10
X51	925 to 937.5	1/10

*30 mW only found on SLXD3 in select bands

Note: Not all frequencies available in all regions. Contact your authorized Shure dealer for availability.

AVAILABLE CONFIGURATIONS

SLXD14	Wireless System with SLXD1 Bodypack Transmitter and WA305 Instrument Cable	SLXD124/85	Handheld and Lavalier Combo Wireless System
SLXD14/DL4	Wireless System with SLXD1 Bodypack Transmitter and DL4B Lavalier Microphone	SLXD35	Portable Wireless System with SLXD3 Plug-On Transmitter
SLXD14/83	Wireless System with SLXD1 Bodypack Transmitter and WL183 Lavalier Microphone	SLXD24/SM58	Wireless System with SM58® Handheld Transmitter
SLXD14/85	Wireless System with SLXD1 Bodypack Transmitter and WL185 Lavalier Microphone	SLXD24/SM86	Wireless System with SM86 Handheld Transmitter
SLXD14/93	Wireless System with SLXD1 Bodypack Transmitter and WL93 Miniature Lavalier Microphone	SLXD24/B58	Wireless System with Beta® 58A Handheld Transmitter
SLXD14/153B	Wireless System with SLXD1 Bodypack Transmitter and MX153 (Black) Omni. Condenser Earset	SLXD24/B87A	Wireless System with Beta® 87A Handheld Transmitter
SLXD14/153T	Wireless System with SLXD1 Bodypack Transmitter and MX153 (Tan) Omni. Condenser Earset	SLXD24/B87C	Wireless System with Beta® 87C Handheld Transmitter
SLXD14/98H	Wireless System with SLXD1 Bodypack Transmitter and Beta® 98H/C Miniature Instrument Microphone	SLXD24/K8B	Wireless System with KSM8 Duality™ Handheld Transmitter
SLXD14/SM35	Wireless System with SLXD1 Bodypack Transmitter and SM35 Headset Microphone	SLXD24D/SM58	Dual Wireless System with 2 SLXD2/SM58 Handheld Transmitters
SLXD15	Portable Wireless System with SLXD1 Bodypack Transmitter (No Lavalier)	SLXD24D/B58	Dual Wireless System with 2 SLXD2/B58 Handheld Transmitters
SLXD15/85	Portable Wireless System with SLXD1 Bodypack Transmitter and WL185 Lavalier Microphone	SLXD14D	Dual Wireless System with two SLXD1 Bodypack Transmitters
SLXD15/DL4	Portable Wireless System with SLXD1 Bodypack Transmitter and DL4B Lavalier Microphone	SLXD25/SM58	Portable Wireless System with SM58 Handheld Transmitter
SLXD15/UL4	Portable Wireless System with SLXD1 Bodypack Transmitter and UL4B Lavalier Microphone	SLX25/VP68	Portable Wireless System with VP68 Handheld Transmitter

Not all systems are available in all regions. Contact your Authorized Shure Dealer for availability in your region.

OPTIONAL ACCESSORIES (SEE SHURE.COM FOR MORE)

SB903	Shure Lithium Ion Rechargeable Battery	UA844+SWB	Antenna/Power Distribution System 470-960 MHz	UA221	UHF Passive Antenna Splitter
SBC203	Dual Docking Charger	UABIAS	Inline Power Supply	UA600	Front Mount Antenna Kit
SBC10-903	Single Battery Charger	UA834	Inline Antenna Amplifier	UA505	Remote Antenna Bracket with BNC Bulkhead Adapter
SBC80-903	Eight-Bay Battery Charger	UA874	Active Directional Antennas	HA-8089	Helical Antenna
SBC-DC-903	DC Battery Eliminator for SLXD5	PA805SWB	Directional Wideband Antenna, 470-952 MHz	WA301	Water-Resistant Silicone Protective Sleeve for SLXD5
UA8	Half-Wave Omnidirectional Receiver Antennas	PA805X	Directional Wideband Antenna, 650-1100 MHz	WA311	Non-Conductive Cold Shoe Mount Adapter for SLXD5
UA845UWB	Ultra Wideband Antenna/Power Distribution System, 174-1804 MHz	UA860	Passive Omnidirectional Antenna, 470-1100 MHz		



SLXD4 DIGITAL WIRELESS RECEIVER

SPECIFICATIONS

(SUBJECT TO CHANGE)

Dimensions (H × W × D)	1.65 × 7.76 × 5.98 in (42 × 197 × 152 mm)
Weight	1.8 lb (816 g) <i>without antennas</i>
Housing	Galvanized Steel
Power Requirements	15 VDC @ 600 mA <i>Supplied by external power supply (tip positive)</i>

RF INPUT

Spurious Rejection	>75 dB <i>Typical</i>
Connector Type	BNC
Impedance	50 Ω

AUDIO OUTPUT

Gain Adjustment Range	-18 to +42 dB in 1 dB steps
Configuration	1/4" (6.35 mm): Balanced (Tip=audio +, Ring=audio -, Sleeve=ground) XLR: Balanced (1=ground, 2=audio +, 3=audio -)
Impedance	1/4" (6.35 mm): 1.3 kΩ (670 Ω Unbalanced) XLR (line): 400 Ω (200 Ω Unbalanced) XLR (mic): 150 Ω
Full Scale Output	1/4" (6.35 mm): +15 dBV differentially (+9 dBV single) XLR (LINE setting): +15 dBV XLR (MIC setting): -15 dBV
Mic/Line Switch	30 dB pad
Phantom Power Protection	1/4" (6.35 mm): Yes XLR: Yes

NETWORKING

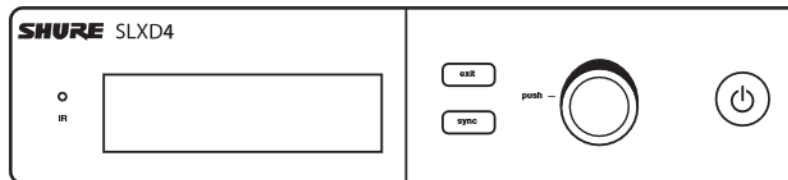
Network Interface	Single Port Ethernet 10/100 Mbps
Network Addressing Capability	DHCP or Manual IP address
Maximum Cable Length	100 m (328 ft)

OVERVIEW

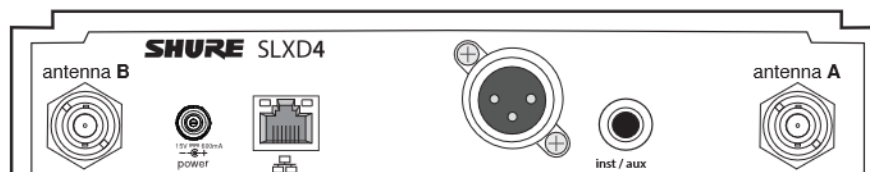
SLX-D Digital Wireless delivers transparent, 24-bit digital audio and rock solid RF performance with easy setup and rechargeability options in a suite of versatile wireless system configurations. Featuring industry-leading digital wireless technology and design, the SLXD4 easily syncs wireless transmitters. A variety of interchangeable vocal microphone choices guarantees the right solution for a wide range of applications, from day-long conference to nighttime performances.

FEATURES

- Transparent 24-bit digital audio
- Extended 20 Hz to 20 kHz frequency range (microphone dependent)
- 118 dB dynamic range
- Digital predictive switching diversity
- 44 MHz tuning bandwidth (region dependent)
- 32 available channels per frequency band (region dependent)
- Up to 10 compatible systems per 6MHz TV band; 12 systems per 8 MHz band
- Easy pairing of transmitters and receivers over scan and IR sync
- Compatible with Shure Wireless Workbench® control software
- Remote monitoring and control via ShurePlus™ Channels app
- Rugged metal construction



SLXD4
Front Panel



SLXD4
Back Panel

SLXD4D DUAL-CHANNEL DIGITAL WIRELESS RECEIVER

SPECIFICATIONS

(SUBJECT TO CHANGE)

Dimensions (H × W × D)	1.65 × 15.5 × 5.98 in (42 × 393 × 152 mm)
Weight	3.2 lb (1451 g) without antennas
Housing	Galvanized Steel
Power Requirements	15 VDC @ 600 mA Supplied by external power supply (tip positive)

RF INPUT

Spurious Rejection	>75 dB typical
Connector Type	BNC
Impedance	50 Ω

AUDIO OUTPUT

Gain Adjustment Range	-18 to +42 dB in 1 dB steps
Configuration	1/4" (6.35 mm): Balanced (Tip=audio +, Ring=audio -, Sleeve=ground) XLR: Balanced (1=ground, 2=audio +, 3=audio -)
Impedance	1/4" (6.35 mm): 1.3 kΩ (670 Ω Unbalanced) XLR (line): 400 Ω (200 Ω Unbalanced) XLR (mic): 150 Ω
Full Scale Output	1/4" (6.35 mm): +15 dB differentially (+9 dBV single) XLR (LINE setting): +15 dBV XLR (MIC setting): -15 dBV
Mic/Line Switch	30 dB pad
Phantom Power Protection	1/4" (6.35 mm): Yes XLR: Yes

NETWORKING

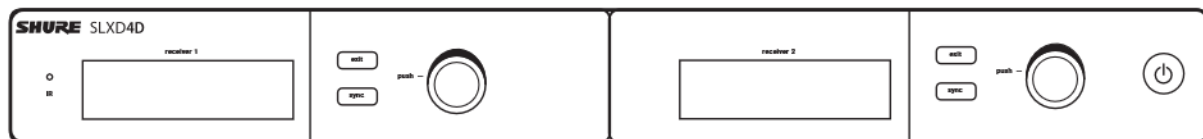
Network Interface	Single Port Ethernet 10/100 Mbps
Network Addressing Capability	DHCP or Manual IP address
Maximum Cable Length	100 m (328 ft)

OVERVIEW

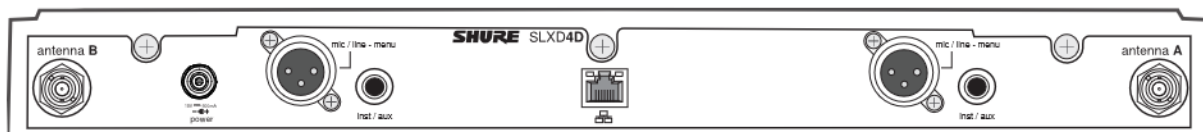
SLX-D Digital Wireless delivers transparent, 24-bit digital audio and rock solid RF performance with easy setup and rechargeability options in a suite of versatile wireless system configurations. Featuring industry-leading digital wireless technology and design, the SLXD4D easily syncs wireless transmitters. A variety of interchangeable vocal microphone choices guarantees the right solution for a wide range of applications, from day-long conference to nighttime performances.

FEATURES

- Transparent 24-bit digital audio
- Extended 20 Hz to 20 kHz frequency range (microphone dependent)
- 118 dB dynamic range
- Digital predictive switching diversity
- 44 MHz tuning bandwidth (region dependent)
- 32 available channels per frequency band (region dependent)
- Up to 10 compatible systems per 6MHz TV band; 12 systems per 8 MHz band
- Easy pairing of transmitters and receivers over scan and IR sync
- Compatible with Shure Wireless Workbench® control software
- Remote monitoring and control via ShurePlus™ Channels app
- Rugged metal construction



SLXD4D
Front Panel



SLXD4D
Back Panel

SLXD5 SINGLE-CHANNEL PORTABLE DIGITAL WIRELESS RECEIVER

SPECIFICATIONS

(SUBJECT TO CHANGE)

Dimensions (H × W × D)	4.21 × 2.68 × 1.0 in (107 × 68 × 25.3 mm)
Weight	1.8 lb (182 g)
Housing	Aluminum
Power Requirements	Battery: Rechargeable Li-Ion or 1.5 V AA batteries Power Supply: SBC-DC-903 Battery Eliminator, or 5 VDC via USB-C

RF INPUT

Spurious Rejection	>75 dB <i>Typical</i>
Impedance	50 Ω
Phantom Power Protection	Yes
Antenna Type	1/4 Wave Whip

AUDIO OUTPUT

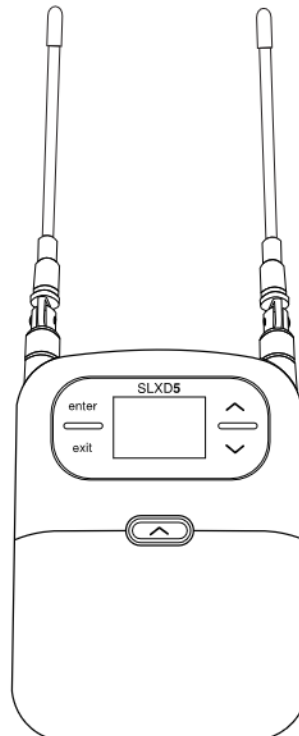
Audio Frequency Response	20 Hz – 20 kHz (+1, -3 dB)
Connector Type	1/8" (3.5 mm), ×2
Configuration	Balanced (Mono): Tip=audio +, Ring=audio -, Sleeve=ground Dual Mono: Tip = left, Ring = Right, Sleeve = Ground
Impedance (Camera)	Balanced (Mono) Line: 450 Ω Balanced (Mono) Mic: 240 Ω Dual Mono Line: 400 Ω Dual Mono Mic: 200 Ω
Full Scale Output	Camera (Balanced Line): 15 dBV Headphone: 13 mW @ 64 Ω Load

OVERVIEW

The SLXD5 Single-Channel Portable Digital Wireless Receiver packs the rich features of an SLXD Digital Wireless Receiver into a slim, portable package. Featuring pristine 24-bit digital audio clarity, efficient long-range UHF transmission and easy-to-use setup features, the SLXD5 is at home on top of your camera or in an audio bag. Scan and deploy frequencies to a compatible SLXD wireless transmitter with IR sync, or coordinate and monitor large channel configurations with many sources using Multi-Mic Mode. A full suite of optional rechargeability accessories enables wireless excellence, wherever required, and the bright OLED screen displays battery life in hours and minutes when used with the optional SB903 Rechargeable Lithium-Ion batteries. Includes SLXD5 Portable Receiver, a pair of AA alkaline batteries, a non-conductive cold shoe mount adapter and a zippered carrying pouch.

FEATURES

- Powerful, portable digital wireless receiver for on-camera cold shoe mounting and audio bag use
- Transparent 24-bit digital audio
- Extended 20 Hz to 20 kHz frequency range (microphone dependent)
- 118 dB dynamic range
- Dual 1/8" outputs including a headphone monitor out and switchable line/mic output
- Use Multi-Mic Mode to scan and sync over IR multiple clean frequencies, and monitor multiple sources from a single receiver with user-configurable front-panel controls
- Bright OLED display screen for key system function readouts and remaining battery life
- Digital predictive switching diversity
- 44 MHz tuning bandwidth (region dependent)
- 32 available channels per frequency band (region dependent)
- Up to 10 compatible systems per 6MHz TV band; 12 systems per 8 MHz band
- Rugged metal construction



SLXD5
Portable Receiver

SLXD1 DIGITAL WIRELESS BODYPACK TRANSMITTER

SPECIFICATIONS

(SUBJECT TO CHANGE)

Battery Type	Rechargeable Li-Ion or 1.5 V AA batteries
Dimensions (H × W × D)	3.86 × 2.68 × 1.0 in (98 × 68 × 25.5 mm)
Weight	3.1 oz (89 g)
Housing	PC/ABS

AUDIO INPUT

Connector	4-Pin male mini connector (TA4M)
Configuration	Unbalanced
Impedance	1 MΩ
Maximum Input Level	8.2 dBV (2.57 Vrms, 7.27 Vpp)
Preamplifier Equivalent Input Noise (EIN)	-118 dBV

RF OUTPUT

Antenna Type	1/4 Wave
Occupied Bandwidth	<200 kHz
Modulation Type	Shure Proprietary Digital
Power	1 mW/10 mW Varies by region. See Frequency Range and Output Power Table.

MICROPHONE OPTIONS SEE SHURE.COM FOR MORE OPTIONS

DL4B	DuraPlex™ Omnidirectional Waterproof Lavalier Microphone
WL183	Omnidirectional Condenser Lavalier Microphone
WL185	Cardioid Condenser Lavalier Microphone
WL93	Omnidirectional Miniature Condenser Microphone
MX153T	Microflex® Headworn Earset Microphone, Tan
MX153B	Microflex® Headworn Earset Microphone, Black
SM35	Cardioid Condenser Headworn Microphone
WB98H/C	Beta® 98H/C Clip-On Condenser Instrument Microphone
WA305	1/4" Locking Instrument Cable

OVERVIEW

SLX-D Digital Wireless delivers transparent, 24-bit digital audio and rock solid RF performance with easy setup and rechargeability options in a suite of versatile wireless system configurations. Featuring industry-leading digital wireless technology and design, the SLXD1 easily syncs with a wireless receiver. TQG connectivity to a variety of microphone options guarantees the right solution for a wide range of applications, from day-long conference to nighttime performances.

FEATURES

- Transparent 24-bit digital audio
- Extended 20 Hz to 20 kHz frequency range (microphone dependent)
- 118 dB dynamic range
- Digital predictive switching diversity
- 44 MHz tuning bandwidth (region dependent)
- 32 available channels per frequency band (region dependent)
- Up to 10 compatible systems per 6MHz TV band; 12 systems per 8 MHz band
- Easy pairing of transmitters and receivers over scan and IR sync
- Up to 8 hours from 2 AA batteries or optional Shure SB903 rechargeable battery
- TQG connectivity offers a variety of microphone options
- Ergonomic, durable plastic construction



SLXD1
Bodypack Transmitter

SLXD2 DIGITAL WIRELESS HANDHELD TRANSMITTER

SPECIFICATIONS

(SUBJECT TO CHANGE)

Battery Type	Rechargeable Li-Ion or 1.5 V AA batteries
Dimensions (Dia. × L)	1.46 × 6.93 in (37.1 × 176 mm)
Weight	5.2 oz. (147 g)
Housing	Aluminum

AUDIO INPUT

Configuration	Unbalanced
Maximum Input Level	8.2 dBV (257 Vrms, 7.27 Vpp) <i>Note: Dependent on Microphone Type</i>

RF OUTPUT

Antenna Type	Integrated Single-Band Helical
Occupied Bandwidth	<200 kHz
Modulation Type	Shure Proprietary Digital
Power	1 mW/10 mW <i>Varies by region. See Frequency Range and Output Power Table.</i>

MICROPHONE OPTIONS SEE SHURE.COM FOR MORE OPTIONS

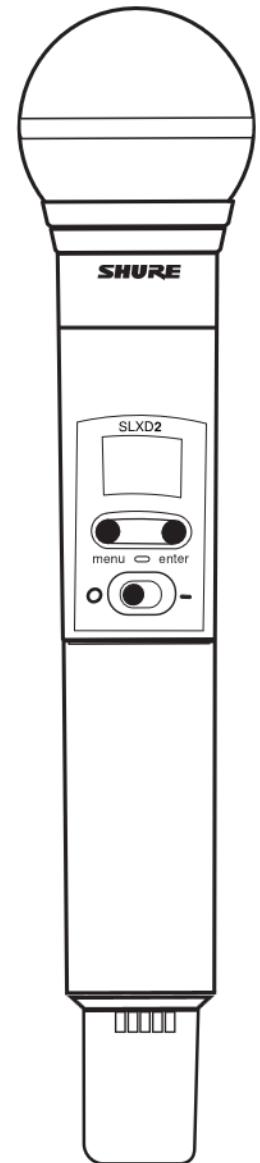
SM58*	Industry Standard Cardoid Dynamic Vocal Microphone
Beta* 87A	Supercardioid Condenser Vocal Microphone
Beta* 87C	Cardioid Condenser Vocal Microphone
SM86	Cardioid Condenser Vocal Microphone
KSM8	Dual-Diaphragm Dynamic Vocal Microphone

OVERVIEW

SLX-D Digital Wireless delivers transparent, 24-bit digital audio and rock solid RF performance with easy setup and rechargeability options in a suite of versatile wireless system configurations. Featuring industry-leading digital wireless technology and design, the SLXD2 easily syncs with a wireless receiver. A variety of interchangeable vocal microphone choices guarantees the right solution for a wide range of applications, from day-long conference to nighttime performances.

FEATURES

- Transparent 24-bit digital audio
- Extended 20 Hz to 20 kHz frequency range (microphone dependent)
- 118 dB dynamic range
- Digital predictive switching diversity
- 44 MHz tuning bandwidth (region dependent)
- 32 available channels per frequency band (region dependent)
- Up to 10 compatible systems per 6MHz TV band; 12 systems per 8 MHz bandv
- Easy pairing of transmitters and receivers over scan and IR sync
- Up to 8 hours from 2 AA batteries or optional Shure SB903 rechargeable battery
- Interchangeable microphone capsules
- Rugged metal construction



SLXD2
Handheld Transmitter

SLXD3 DIGITAL WIRELESS PLUG-ON TRANSMITTER

SPECIFICATIONS

(SUBJECT TO CHANGE)

Battery Type	Rechargeable Li-Ion or 1.5 V AA batteries
Dimensions (Dia. × L)	4.9 × 1.6 × 1.6 in (126 × 41 × 41 mm)
Weight	7.0 oz. (200 g)
Housing	Aluminum, Zinc Alloy, PC/ABS

AUDIO INPUT

Configuration	XLR
Maximum Input Level 1 kHz @ 1% THD	Pad -12 dB: 20.5 dBV 0 dB: 8.5 dBV Boost +12 dB: -3.5 dBV <i>Note: Dependent on Microphone Type</i>
Phantom Power	+48 V (7 mA maximum) +12 V (15 mA maximum)

RF OUTPUT

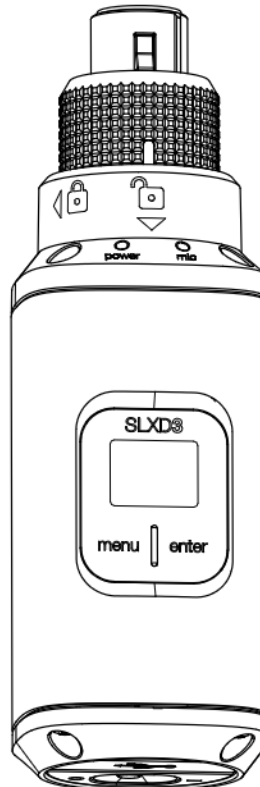
Antenna Type	Dipole
Occupied Bandwidth	<200 kHz
Modulation Type	Shure Proprietary Digital
Power	1 mW/10 mW/30 mW <i>Varies by region. See Frequency Range and Output Power Table.</i>
Specific Absorption Rate (SAR)	<0.17 W/kg

OVERVIEW

SLXD3 Plug-On Digital Wireless Transmitter converts any XLR source, including dynamic and condenser microphones, for use as an SLX-D wireless transmitter. Featuring a patented locking ring for a secure, wobble-free connection, the SLXD3 sends 24-bit digital audio from any XLR source to an SLXD4 or SLXD5 Digital Wireless receiver via rock-solid RF connection. Use IR Sync to pair transmitters easily and quickly with your choice of SLX-D wireless receiver. A full suite of optional rechargeability accessories enables wireless excellence, wherever required, and the bright OLED screen displays battery life in hours and minutes when used with the optional SB903 Rechargeable Lithium-Ion batteries. Includes SLXD3 plug-on transmitter, a pair of AA alkaline batteries, zippered carrying pouch and a leather protective sleeve with an integrated belt clip.

FEATURES

- Convert any XLR source for use within SLX-D wireless systems
- Provides +12–48 VDC phantom power for use with condenser microphones
- Patented locking mechanism for secure, wobble-free connection
- Transparent 24-bit digital audio
- Extended 20 Hz to 20 kHz frequency range (microphone dependent)
- 118 dB dynamic range
- Digital predictive switching diversity
- Switchable 1/10/30 mW power levels (region- and band-dependent)
- 44 MHz tuning bandwidth (region dependent)
- 32 available channels per frequency band (region dependent)
- Up to 10 compatible systems per 6MHz TV band; 12 systems per 8 MHz band
- Easy pairing of transmitters and receivers over scan and IR sync
- Up to 8 hours from 2 AA batteries or optional Shure SB903 rechargeable battery
- Rugged metal construction



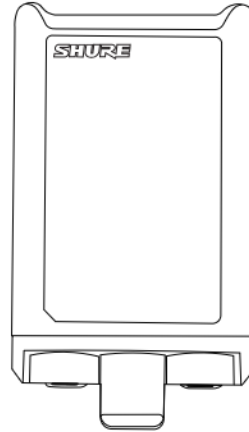
SLX-D DIGITAL WIRELESS RECHARGEABLE POWER MANAGEMENT

SPECIFICATIONS

(SUBJECT TO CHANGE)

SB903 LI-ION RECHARGEABLE BATTERY

Charge Voltage	4.2 V (+0.03 V)
Charge Current	SBC10-903: 220 mA SBC203: 625 mA (normal) 250 mA (reduced)
Nominal Voltage	3.6 V
Nominal Capacity	1200 mAh
Housing	Molded Polycarbonate
Charging Temperature Range	SBC10-903: 50 °F to 113 °F (10 °C to 45 °C) SBC203: 50 °F to 113 °F (10 °C to 45 °C), normal 32 °F to 50 °F (0 °C to 10 °C), reduced
Dimensions (H × W × L)	0.57 × 1.28 × 2.19 in (14.5 × 32.5 × 55.5 mm)
Weight	1 oz. (28 g)



SB903
Rechargeable Lithium Ion Battery

SB903 LITHIUM-ION RECHARGEABLE BATTERY

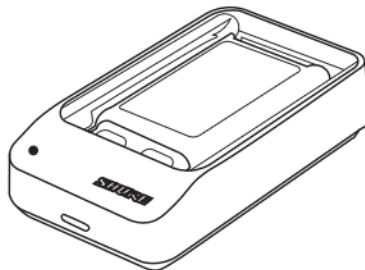
Want to know the exact amount of battery charge left? SB903 rechargeable lithium-ion batteries unlock real-time battery life and battery health features for SLX-D Digital Wireless transmitters.

SBC10-903 SINGLE BATTERY CHARGING SLED

DC Input Voltage Range	5 VDC
Charge Current	220 mA <i>USB-powered</i>
Charge Time	50%: 3 hours 100%: 5 hours, 30 minutes
Charge Voltage	4.2 V
Charging Temperature Range	50 °F to 113 °F 10 °C to 45 °C
Dimensions (H × W × L)	0.81 × 1.48 × 3.13 in (20.5 × 37.5 × 79.5 mm)
Weight	1.3 oz (39 g)
Housing	Molded Polycarbonate

POWER SUPPLY

Input Voltage Range	100 to 240 VAC
Operating Frequency	50 to 60 Hz
Maximum Input Power	0.2 A <i>at 100 VAC full load</i>
Output Voltage	4.75 to 5.25 VDC
Maximum Output Power	1.0 A at 5 VDC
Charging Temperature Range	32 °F to 140 °F (0 °C to 60 °C)



SBC10-903
Single Battery Charging Sled

SBC10-903 SINGLE BATTERY CHARGER FOR SB903 BATTERY

USB single battery charger can be powered from A/C power sources and USB ports to charge one Shure SB903 Lithium-Ion Rechargeable Battery for use with SLX-D Digital Wireless Transmitters.

SLX-D DIGITAL WIRELESS RECHARGEABLE POWER MANAGEMENT

SPECIFICATIONS

(SUBJECT TO CHANGE)

SBC80-903 8-BAY BATTERY CHARGER

Charge Current	625 mA
Charge Time	50%: 1 hour 100%: 3 hours
External Power Supply	PS60
Power Requirements	15 VDC, 4 A
Dimensions (H × W × L)	1.18 × 6.81 × 5.75 in (30 × 173 × 146 mm)
Weight	13.2 oz (375 g)
Storage Temperature Range	-20 °F to 165 °F (-29 °C to 74 °C)
Charging Temperature Range	32 °F to 113 °F (0 °C to 45 °C)

SBC203 DUAL-DOCKING RECHARGING STATION

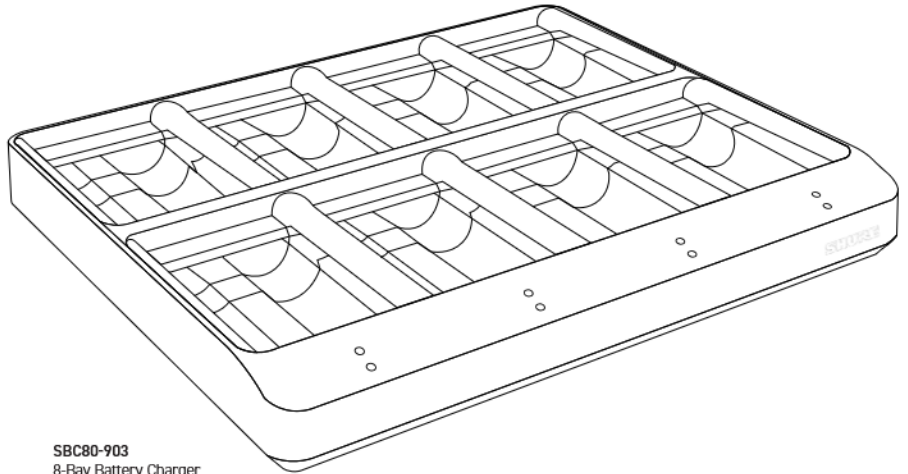
Charge Current	625 mA or 250 mA <i>Lower current used when using another power source, or operating between 32 °F and 50 °F (0 °C and 10 °C)</i>
Charge Time	50%: 1 hour, 15 minutes 100%: 2 hours, 30 minutes
External Power Supply	SBC10-USB15W or SBC10-USB15WS
Power Requirements	5 VDC, 3 A max
Charging Temperature Range for Battery	32 °F to 113 °F (0 °C to 45 °C)
Dimensions (H × W × L)	2.6 × 3.9 × 6.5 in (66 × 99 × 165 mm)
Weight	10.0 oz (284 g)
Housing	ABS

POWER SUPPLY

Input Voltage Range	100 to 240 VAC
Operating Frequency	50 to 60 Hz
Maximum Input Power	0.6 A at 100 VAC full load
Output Voltage	4.75 to 5.25 VDC
Maximum Output Power	3.0 A at 5 V
Operating Temperature Range	32 °F to 140 °F (0 °C to 60 °C)

SBC80-903 8-BAY BATTERY CHARGER FOR SB903 LITHIUM-ION BATTERY

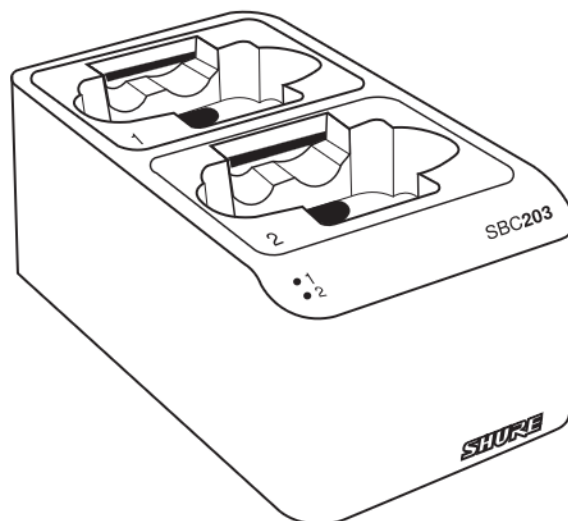
Recharging station for up to eight (8) SB903 rechargeable lithium ion batteries. The charging cradle is designed to fit in a rackmount drawer and provides a full charge for installed batteries in 3 hours. LED indicators illuminate to indicate battery health and charging status.



SBC80-903
8-Bay Battery Charger

SBC203 DUAL-DOCKING RECHARGING STATION FOR SB903 LITHIUM-ION BATTERY

Dual docking recharging station charges two SB903 lithium-ion batteries in or out of their transmitters. Built to charge two batteries, two body pack transmitters, two handheld transmitters or any pairing of two SLX-D transmitters or SB903 batteries.



SBC203
Dual-Docking Recharging Station